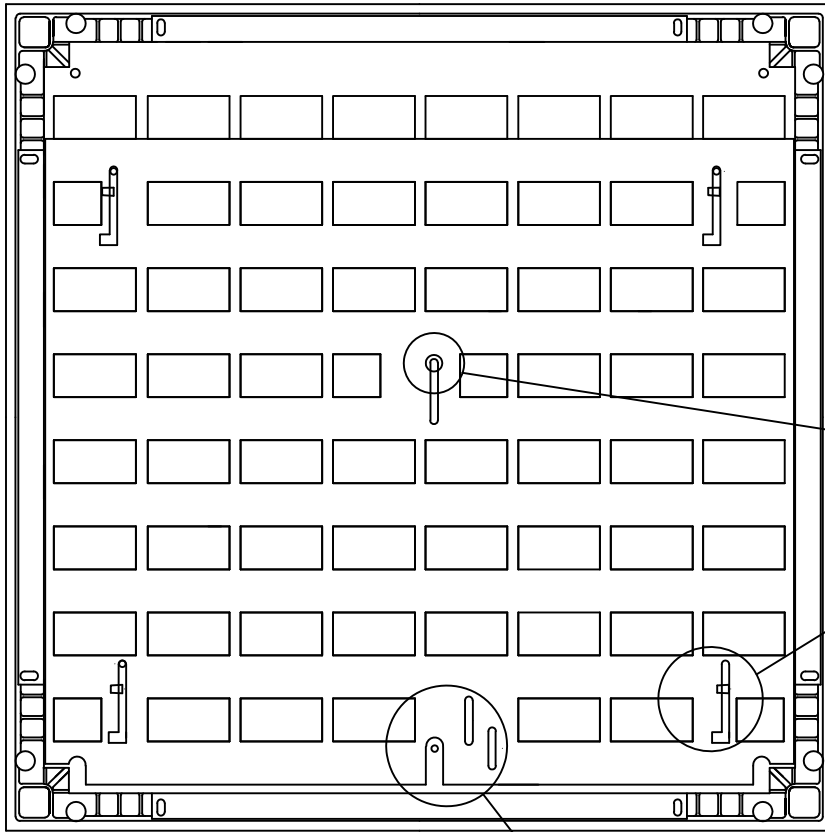


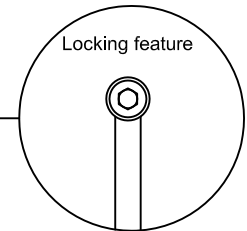
BOTTOM VIEW WITH OPTIONAL AIR EXACT DAMPER



AIR EXACT DAMPER

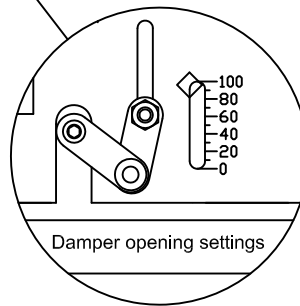
General information

- Locking feature locks damper at desired setting from top.
- Easily disassembles for cleaning.
- Adjustable from top with standard T-handle allen wrench.
- Compatible with FF1250, FF3000 perforated panels and grates.
- Opening setting is clearly visible from top.
- Same standard 5/32" T-handle allen wrench for adjusting damper and locking it in place.
- Material: Aluminum alloy 5062.
- 55 slotted openings of approximately 2-3/8" X 1-1/8".



Locking feature

Tab for easy disassembly and cleaning



Damper opening settings

100 represents fully open
0 represents fully closed

DOWNWARD AIR FLOW PERFORMANCE

Standard Holes

| Static Pressure (in H ₂ O) | FF1250 Perforated No Damper | Damper Percent Open | | | | | | | |
|---------------------------------------|-----------------------------|---------------------|-----|-----|-----|-----|-----|------|------|
| | | 20% | 30% | 40% | 50% | 60% | 70% | 80% | 100% |
| .02 | 521 | 241 | 294 | 342 | 385 | 414 | 431 | 470 | 490 |
| .04 | 737 | 341 | 416 | 484 | 545 | 585 | 610 | 664 | 693 |
| .06 | 903 | 417 | 509 | 592 | 668 | 717 | 747 | 814 | 848 |
| .08 | 1042 | 482 | 588 | 684 | 771 | 828 | 862 | 939 | 980 |
| .10 | 1165 | 539 | 657 | 764 | 862 | 925 | 964 | 1050 | 1095 |

Downward air flow performance is tested with 1/8" tile with standard 1,024 each 13/32" diameter perforation holes.